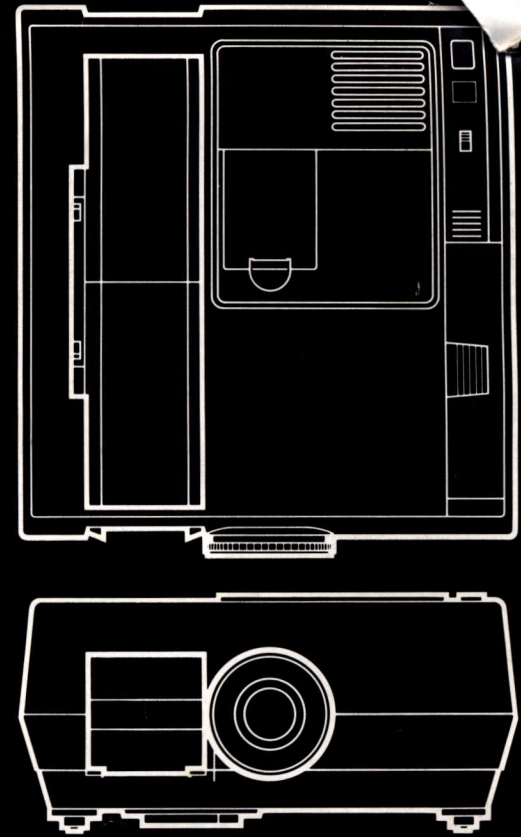


# Vivitar



---

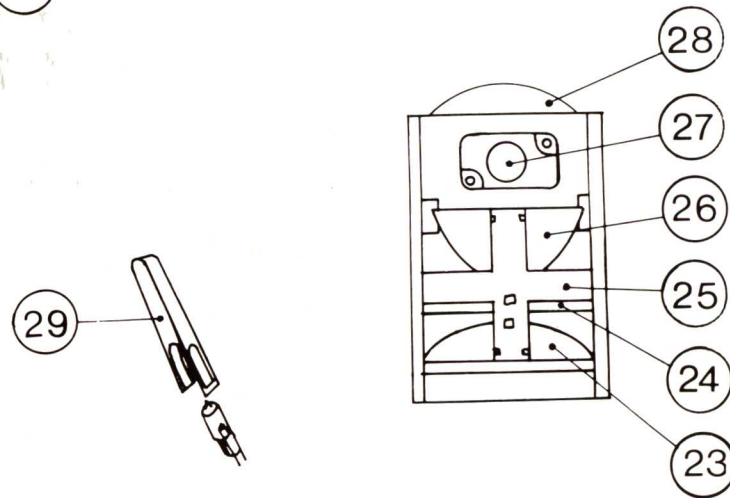
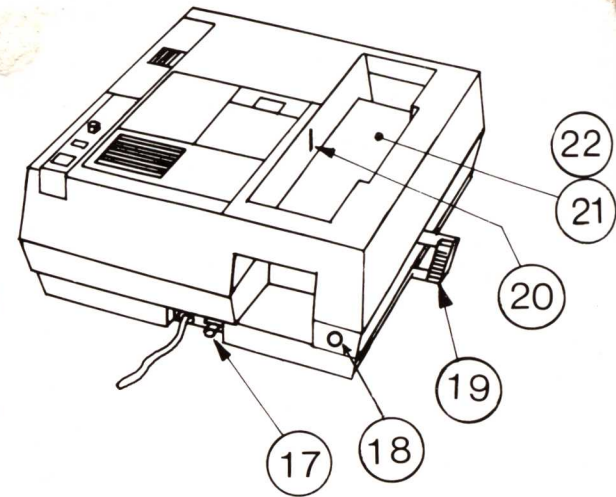
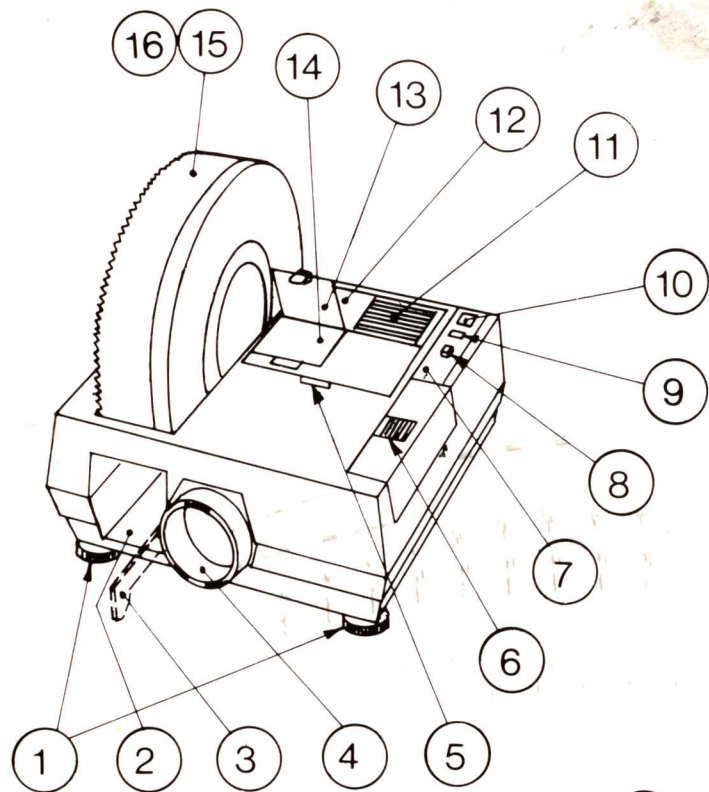
Slide Projector  
Projecteur de Diapositives

## IMPORTANT SAFEGUARDS

WHEN USING YOUR PROJECTOR, BASIC SAFETY PRECAUTIONS SHOULD ALWAYS BE FOLLOWED, INCLUDING THE FOLLOWING.

1. READ AND UNDERSTAND ALL INSTRUCTIONS.
2. CLOSE SUPERVISION IS NECESSARY WHEN ANY APPLIANCE IS USED BY OR NEAR CHILDREN. DO NOT LEAVE APPLIANCE UNATTENDED WHILE IN USE.
3. CARE MUST BE TAKEN AS BURNS CAN OCCUR FROM TOUCHING HOT PARTS, PARTICULARLY THE LAMP.
4. DO NOT OPERATE APPLIANCE WITH A DAMAGED CORD OR IF THE APPLIANCE HAS BEEN DROPPED OR DAMAGED – UNTIL IT HAS BEEN EXAMINED BY A QUALIFIED SERVICEMAN.
5. DO NOT LET CORD HANG OVER EDGE OF TABLE OR COUNTER OR TOUCH HOT SURFACES.
6. IF AN EXTENSION CORD IS NECESSARY, CARE SHOULD BE TAKEN TO ARRANGE THE CORD SO THAT IT WILL NOT BE TRIPPED OVER OR PULLED.
7. ALWAYS UNPLUG APPLIANCE CORD FROM ELECTRICAL OUTLET WHEN NOT IN USE. NEVER YANK CORD TO PULL PLUG FROM OUTLET. GRASP PLUG AND PULL TO DISCONNECT.
8. LET APPLIANCE COOL COMPLETELY BEFORE PUTTING AWAY.
9. TO PROTECT AGAINST ELECTRICAL SHOCK HAZARDS, DO NOT IMMERSE THIS APPLIANCE IN WATER OR OTHER LIQUIDS.
10. TO AVOID ELECTRIC SHOCK HAZARDS DO NOT DISASSEMBLE THIS APPLIANCE, BUT TAKE IT TO A QUALIFIED SERVICEMAN WHEN REPAIR WORK OR SOME SERVICE (OTHER THAN LAMP CHANGING OR LENS CLEANING) IS REQUIRED.
11. BEFORE CHANGING LAMP OR CLEANING THE LENSES IT IS ESSENTIAL THAT THE PROJECTOR HAS BEEN ALLOWED TO COOL AND THE CORD HAS BEEN DISCONNECTED FROM THE POWER OUTLET.
12. DURING USE DO NOT OBSTRUCT THE VENTILATION AIR OUTLET (11).
13. A FIRE, ELECTRIC SHOCK OR OTHER HAZARD MAY RESULT FROM THE USE OF ACCESSORY ATTACHMENTS NOT RECOMMENDED BY THE MANUFACTURERS.

**SAVE THESE INSTRUCTIONS**



English

### PRINCIPAL PARTS.

- |                             |                          |               |
|-----------------------------|--------------------------|---------------|
| 1. Adjustable Feet          | 14. Previewer Screen     | 27. Lamp      |
| 2. Magazine Chamber         | †15. Rondex Magazine     | 28. Reflector |
| 3. Slide Retainer           | †16. 100 Rotary Magazine | 29. Lamp Tool |
| 4. Projection Lens          | 17. Lamp Switch          |               |
| 5. Coin Slot                | †18. Din Socket          |               |
| 6. Control Cord Cover Latch | 19. Slide Changing Arm   |               |
| 7. Remote Control Handset   | 20. Slide Number Mark    |               |
| 8. Forward/Reverse Button   | †21. Hanomatic Magazine  |               |
| 9. Focus Button             | †22. Easy-Edit Magazine  |               |
| 10. Slide Change Button     | 23. Front Condenser      |               |
| 11. Air Outlet              | 24. Heat Filter          |               |
| 12. Lamp House Cover        | 25. Lens Retainer        |               |
| 13. Previewer Cover         | 26. Rear Condenser       |               |

† Certain Models Only

### PLEASE NOTE:

If the projector mains cord is not supplied with a plug the appropriate plug should be attached observing the following colour coding -

Brown to Live  
Blue to Neutral  
Green/Yellow to Earth

### OPERATING INSTRUCTIONS. PRELIMINARY.

- Unpack the projector from its container, pull the slide changing arm (19) OUT to its maximum extent and remove the magazine by sliding it from the magazine chamber (2).
- CAUTION.** Check that the voltage shown on the rating plate fitted to the underside of the projector agrees with your supply voltage. If your projector is fitted with a voltage selector (also on the underside) check that it is set to the correct voltage; if not, select the correct voltage by rotating the selector knob.
- Place the projector on a firm flat surface and check that the air outlet (11) is not blocked.
- Connect the power cord to a power point and switch on. The blower will now be operating.

#### USING THE STRAIGHT MAGAZINE (21 & 22)

- Place the magazine flat on the table with the open side to the right and the numbers upwards. Load your slides into the magazine with the dull emulsion side (generally the printed side of the mount) facing you and the picture UPSIDE DOWN.
- Push the slide changing arm (19) to the IN position and pull out the slide retainer (3).
- Load the magazine, with the numbers up, into the magazine chamber (2), so that compartment number 1, is resting against the slide changing arm (19), also making sure that the slides do not protrude from the magazine.
- When using the Hanomatic Magazine, set the forward/reverse button (8) to the forward position by moving it towards the slide change button (10). Press button (10). The slide changing arm will now move out and in bringing the first slide to the projection position. When using the Easy Edit Magazine, set the forward/reverse button (8) to the forward position by moving it away from the slide change button and following same procedure.  
When using the Easy-Edit Magazine/Tray difficulty may be experienced when using very thin (1mm) slides.

### USING THE ROUND MAGAZINE (15 & 16)

- Place the magazine flat on the table with the toothed edge down and the number '1' on the right. Load the slides in numerical order with the dull, emulsion side (generally the printed side of the mount) facing you and the top of the slide to the outside of the magazine. Load subsequent slides in numerical order, similarly.
- Pull the slide changing arm (19) to the OUT position and place the magazine into the magazine chamber (2) as shown in the diagram. The magazine should be rotated slightly to ensure that the teeth engage the small drive wheel and that the hub settles firmly on to the two small bearing pads.
- Rotate the magazine until slide position number 1 is in line with the slide number mark (20). Push the slide changing arm (19) IN to bring slide number 1 to the projection position.

### OPERATING THE PROJECTOR.

- Switch on the lamp by pressing the lamp switch (17).
- Adjust the position of the picture on the screen by turning the screwed feet (1).
- RF MODEL ONLY.  
Push the focus button (9) forwards and watch the lens (4) move in and out. Stop the lens, by releasing the button, when the lens is about half way between its "in" and "out" positions.  
Focus the image of the slide on the screen by rotating the lens (4). All subsequent slides are focused by moving the focus button (9) in the appropriate direction.
- AF MODEL ONLY.  
From your slides select one which has some sharply defined detail at its centre. Project this slide and focus the image on the screen by rotating the lens (4). All subsequent slides will be automatically focused as long as the positions of the screen and the projector are not disturbed.
- To change slides press the slide change button (10). To reverse the order in which the slides are projected push the forward/reverse switch button (8) to its alternative position.
- To project an individually selected slide pull the slide changing arm (19) to the OUT position and push the magazine either forwards or backwards until the number of the selected slide is opposite the slide number mark (20). Push the slide changing arm IN to project the selected slide.
- When you have finished using the slide projector, switch off and disconnect from AC outlet.

### USING THE REMOTE CONTROL HANDSET (7)

This handset may be used as a control console on the projector or it may be used for remote control by removing it from the projector. To remove the handset from the projector:-

- Press down on the control cord cover latch (6) and swing the cover open to reveal the handset cord.
- Slide the handset (7) back and lift it up and out of the projector.

### USING THE PREVIEWER

- The previewer screen is illuminated by the projection lamp and is made ready for use by opening the previewer cover (13).
- If you wish to preview a slide simply place it on the previewer screen (14).
- After use press the rear edge of the slide (to make it easier to remove), remove the slide and close the cover.

### USING THE DIN SOCKET

The din socket may be used to connect the projector to an external timer or to a tape synchronising device to change slides automatically.

*English*

### **CHANGING THE LAMP.**

CAUTION. Make sure that the projector is disconnected from the mains.

- a. Remove the lamp house cover (12) by lifting its front edge with a small coin inserted in the coin slot (5).
- b. Pull out the old lamp and insert a new one into the socket. A tool (29) is provided to assist in this operation. Make sure that the new lamp is well seated and is upright.
- c. Replace the lamp house cover before switching the projector on.

### **CLEANING THE OPTICAL COMPONENTS**

- a. The condenser elements.  
Remove the lamp house cover (12) as described above in "Changing the Lamp". Any surface dust on the front condenser (23), the heat filter (24), the rear condenser (26) and the reflector (28) should be removed gently with a soft brush.
- b. The projection lens.  
The projection lens (4) may be removed by unscrewing it forward from its mount and cleaned with a lens brush or optical tissue. Replace the lens by screwing it back into its mount.

### **CLEARING A JAM.**

Damaged or bent slides will occasionally cause the slide changing arm (19) to jam. If this happens immediately reverse the changing direction by operating the forward/reverse switch (8). If this procedure does not clear the jam, switch off the projector and unplug it from the mains. Turn the coin slotted screw in the slide changing arm (19) handle one quarter of a turn anti-clockwise. The top half of the changing arm can now be split from the lower half and withdrawn from the projector, allowing the magazine and the slide to be removed.

## ATTENTION

- When replacing the lamp use only a 24V, 150W, Q.I. type (Hanimex type A1/216)
- The projector should be operated so that the air flow through the ventilation slots is not impeded.
- The projector must be disconnected from the mains before cleaning, replacing, adjusting or servicing any of its components.
- If the projector mains lead is not fitted with a moulded plug the appropriate plug should be connected observing the following colour coding  
Two Core Lead: Brown to line (L)  
Blue to neutral (N)  
Three Core Lead: Brown to line (L)  
Blue to neutral (N)  
Green or green and yellow to earth (⏏)

### FOR UNITED KINGDOM USERS ONLY

This projector is designed for use on an A.C. mains supply of 240V 50 Hz. (See also operating instructions, preliminary, section (b).)

#### WARNING - THIS APPLIANCE MUST BE EARTHED

To ensure efficient earthing the 3 core mains cord must be connected to an appropriate 3 pin plug.

As the colours of the wires in the mains cord of this projector may not correspond with the coloured markings identifying the terminals in your plug, proceed as follows:

The green/yellow wire must be connected to the terminal in the plug which is marked "E", or marked ⏏, or coloured green or green and yellow.

The blue wire must be connected to the terminal marked "N" or coloured black.

The brown wire must be connected to the terminal marked "L" or coloured red.

A 3 amp fuse should be fitted when the appliance is connected to a 13 amp BS 1363 fused plug top. If any other type of plug is used a 5 amp fuse should be fitted into the plug, adaptor or distribution board.

## ATTENTION

- N'utiliser que des lampes 24V, 150W quartz halogène (type Hanimex A1/216)
- Veiller à ne pas obstruer les trous d'aération.
- Débrancher le projecteur avant de le nettoyer, remplacer ou fixer toute pièce.

This product is manufactured to comply with the radio interference requirements of the E.E.C. Directive, 82/499/E.E.C.

Cet article est fabriqué conformément aux conditions requises pour les interférences radio de la directive de la C.E.E., 82/499/C.E.E.

Diese Produkt wurde unter Beachtung der E.W.G. Vorschriften 82/499/E.W.G. über Radio - Störung hergestellt.

La fabricación de este producto se conforma con los requisitos de interferencia radioeléctrica de las instrucciones de la C.E.E., 82/499/C.E.E.

- Si le projecteur n'est pas livré avec une prise moulée, la prise appropriée doit être branchée suivant le codage suivant.

fil à deux parties: brun - charge  
bleu - neutre

fil à deux parties: brun - charge  
bleu - neutre  
vert ou vert/jaune - prise de terre.

## ACHTUNG

- Es ist nur folgende Lampentype zu verwenden: 24V, 150W Halogen (Hanimex A1/216).

- Lüftungsöffnungen müssen freigehalten werden.

- Vor dem Reinigen, Warten, Wechseln von Teilen oder Zubehör und Beheben von Störungen muss der Netzstecker gezogen werden.

- Wenn der Projektor nicht mit einem Netzstecker versehen ist, muss beim Anbringen des Steckers an das Kabel die Farbkodierung beachtet werden:

zweiadriges Kabel: braun für aktiv  
blau für neutral

dreiadriges Kabel: braun für aktiv  
blau für neutral  
grün oder grün/gelb für, schutzerde

## ATENCIÓN

- Cuando cambie la lámpara utilice únicamente una de halógeno de cuarzo de 24V, 150W (Tipo Hanimex A1/216).

- El proyector deberá operarse de manera que nada obstruya la salida del aire por las ranuras de ventilación.

- El proyector deberá desenchufarse antes de limpiarlo o de cambiar, regular o reparar cualquiera de sus componentes.

- Si el cordón del proyector no tuviese un enchufe, se deberá conectar uno observando el siguiente código de colores:

Cordón de dos cables: Marrón a la línea  
Azul a neutro

Cordón de tres cables: Marrón a la línea  
Azul a neutro  
Verde o verde y amarillo a tierra

# Vivitar®

Vivitar Corporation  
Chatsworth, California 91313-2193  
© 1988 Vivitar Corporation  
All Rights Reserved Tous droits réservés